

J PRISMA

P A R M A I T A L Y



checkweigher
14T3 / 16T3





discover all the details on our web-site!

Technical Specifications

	14T3	16T3
Weighing range	up to 15000 g	up to 30000 g
Display division	from 5 g	from 10 g
Linear speed	up to 50 m/min	up to 25 m/min
Throughput	up to 60 ppm	up to 30 ppm
Accuracy*	from ± 5 g	from ± 10 g
Pneumatic supply	0,6 Mpa	
Air consumption (for ejection)	1 NI	
Power supply	230V 50/60Hz single phase	
Power consumption	1000 W	
Mirror finishing of metal parts	Stainless Steel IP54	
Climatic environment	from 5°C up to +40°C non-condensing (closed)	

*depending on the weight, dimensions and type of product

Electronics

T3



- Digital electronics with PC Mainboard mini-ITX
- 10,4" TFT color display with touch screen panel
- Windows 10 IoT operating system
- 200 storable product programs

D3



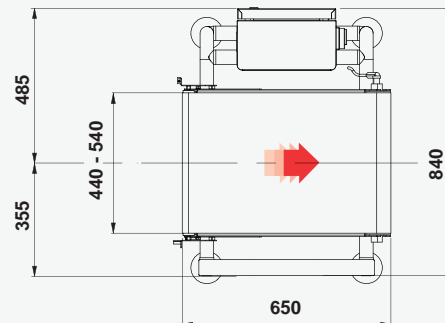
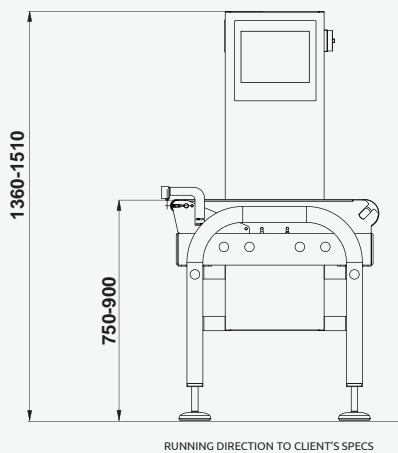
- Digital electronics with alphanumeric graphic display
- 100 storable product programs

Equipment

- Electronic self-calibration device
- Mobile average function
- Conformity with standards ISO - FDA - HACCP - GMP - CE
- 2 RS232 serial ports
- 3 levels password access protection
- Production data management in conformity with the standards in force

Optional

- Ejection systems
- Reject management systems
- Wind-prevention tunnel
- 24-columns panel printer
- Special conveyors
- Separated electronic equipment
- Alarms notification
- USB interface
- Ethernet interface for Industry 4.0 compliance
- Products programs memory expansion
- Feed-back function
- FAT/SAT, IQ/OQ validations, CFR21 part 11
- MID Certification



The manufacturer reserves the right to change the product specifications without notice. The image and the drawing are indicative of one of the possible configurations of the machine.