

PRISMA

P A R M A I T A L Y



checkweigher 01T3





discover all the details on our web-site!



Technical Specifications

Weighing range	up to 600 g
Display division	from 0,1 g
Linear speed	up to 100 m/min
Throughput	up to 500 ppm
Accuracy*	from ± 0,1 g
Pneumatic supply	0,6 Mpa
Air consumption (for ejection)	1 NI
Power supply	230V 50/60Hz single phase
Power consumption	700 W
Mirror finishing of metal parts	Stainless Steel IP54
Climatic environment	from 5°C up to +40°C non-condensing (closed)

*depending on the weight, dimensions and type of product

Electronics

T3



- Digital electronics with PC Mainboard mini-ITX
- 10,4" TFT color display with touch screen panel
- Windows 10 IoT operating system
- 200 storable product programs

D3



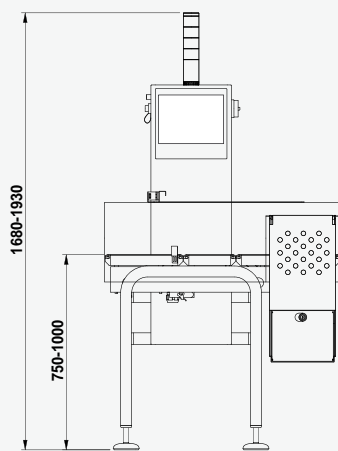
- Digital electronics with alphanumeric graphic display
- 100 storable product programs

Equipment

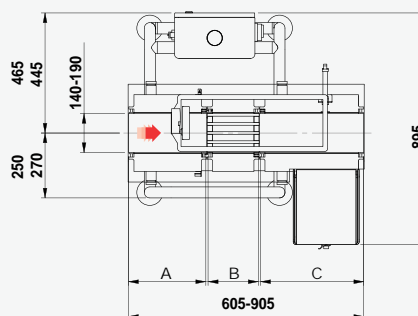
- Electronic self-calibration device
- Mobile average function
- Conformity with standards ISO - FDA - HACCP - GMP - CE
- 2 RS232 serial ports
- 3 levels password access protection
- Production data management in conformity with the standards in force

Optional

- Ejection systems
- Alarms notification
- Reject management systems
- USB interface
- Wind-prevention tunnel
- Ethernet interface for Industry 4.0 compliance
- 24-columns panel printer
- Products programs memory expansion
- Special conveyors
- Feed-back function
- Open flap control device
- FAT/SAT, IQ/OQ validations, CFR21 part 11
- Separated electronic equipment
- MID Certification



RUNNING DIRECTION TO CLIENT'S SPECS



Plates configuration		
Infeed	Weighing	Outfeed
A	B	C
200	200	200
200	300	400
300	200	400



The manufacturer reserves the right to change the product specifications without notice. The image and the drawing are indicative of one of the possible configurations of the machine.

© PRISMA INDUSTRIALE S.r.l. cod. 261481 rev007